

# Gulper® Toilet Pump - Black Waste Holding Tank Pump Out (Discharge)

## Pump Designed To Manage Unmacerated Toilet Waste

- Non-choke valves
- Pumps unmacerated toilet waste
- Can run dry without damage
- Pumps air / water mixtures
- Robust, reliable design
- Pumps up to 18 litres (4.75 US gals) per minute at open flow
- Multi-directional head allows the pump to be mounted in the most convenient part of the boat
- Self-priming up to 3 m (10 ft)
- No moving parts in the pump head ensures continuous pump action

## Typical Uses

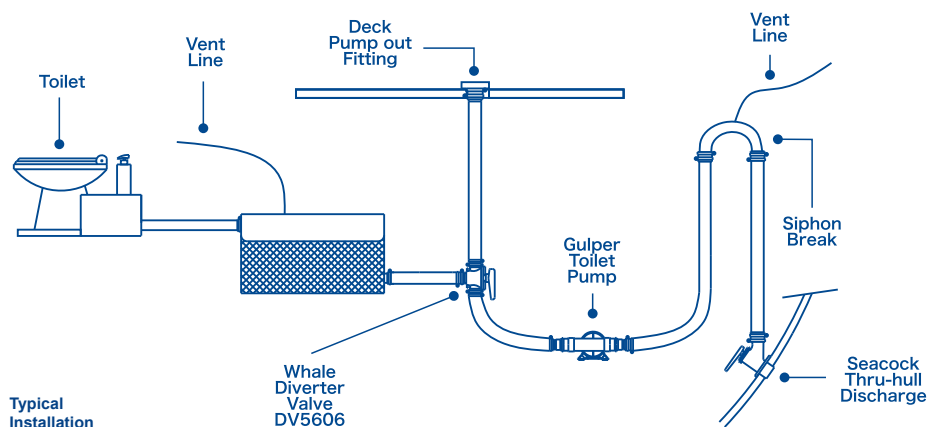
- Ideal for holding tanks and vacuum systems

## Model Specifications

Model	Gulper® Toilet Pump	
	BP2552B	BP2554B
Product Code	BP2552B	BP2554B
Voltage	12 V d.c.	24 V d.c.
Recommended Fuse Size	7.5 amp Automotive	5 amp Automotive
Weight	2.12 kg (4.75 lbs)	
Hose Connections	38 mm (1 1/2")	
Minimum Wire Size	1.5 mm <sup>2</sup> (16 AWG)	
Materials	Pump Body: Aluminum, Glass-filled Nylon, Clamp Ring: Acetal Diaphragm: Santoprene®, Valves: Nitrile, Gearwheel: Bronze Feet: EPDM, Fasteners: Stainless Steel, Brass	
Service Kit	AK1557- Service Kit	
Materials In Contact With Fluid	Glass-filled Nylon, Santoprene®, Nitrile	
Maximum Suction Lift	3 m (10 ft)	
Maximum Discharge Head	3 m (10 ft)	
Maximum Suction Lift and Discharge Head (combined)	3 m (10 ft)	
Dry Running Current	5.5 amps	2.25 amps

## Performance Data

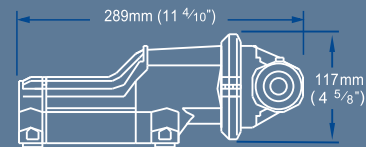
	BP2552B / BP2554B	
	Suction Lift	0
Discharge Head	1 m (3 ft)	1 m (3 ft)
Flow Rate per Minute	17.5 ltrs (4.6 US gals)	16.5 ltrs (4.4 US gals)
Current Draw	6.5 amp (12 V d.c.) 3.25 amp (24 V d.c.)	7.1 amp (12 V d.c.) 3.55 amp (24 V d.c.)



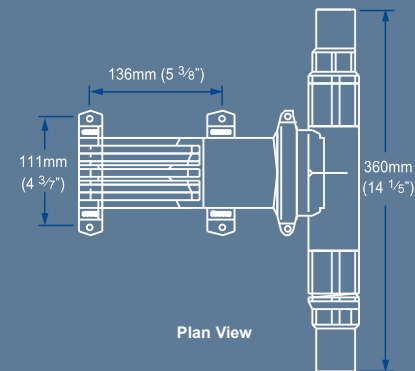
**Note:** Where discharge is below the water line, a siphon break must be fitted.



**Gulper® Toilet Pump**  
1 Year Warranty



Side View



Plan View

Typical  
Installation